

Model DS0808 / technical specifications



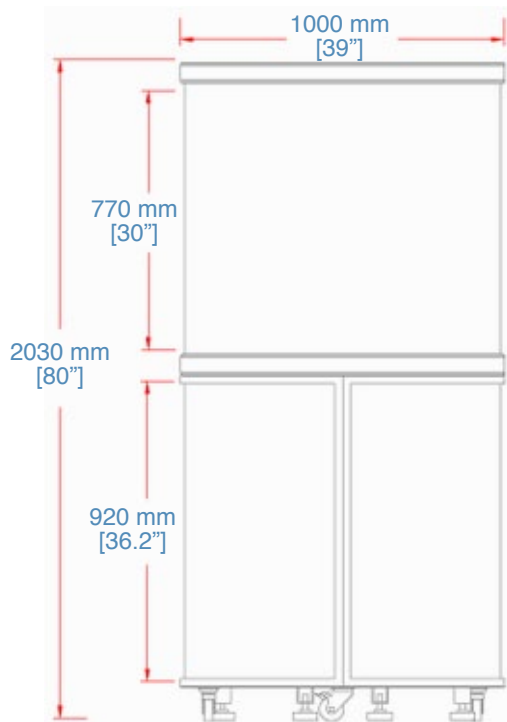
Indoor 360° LED Video Display

KEY FEATURES

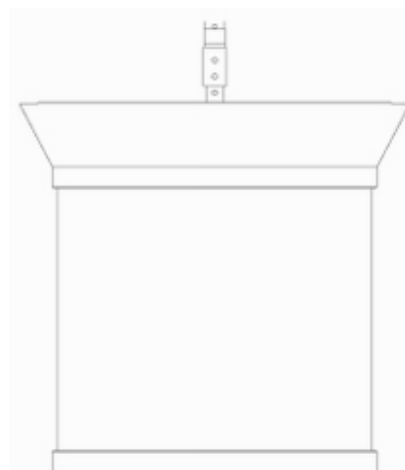
- 360° Visibility
- 16:9 Aspect Ratio (half wrap)
- Super Bright: 750 nits
- Split Screen Capable
- Optional Light Box Base
- Casters for Easy Mobility

INCLUDED ACCESSORIES

- Mounting bracket
- CD-ROM with Quick start guide
- Air filters



DIMENSIONS



ceiling mount option

360° LED VIDEO DISPLAY

Model DS0808 / specifications

Pixel pitch (horz. x vert.)	2 x 2 mm
Display size (width x height)	2.73 x 0.77 m
Display area	2.10 m ²
Native resolution (horz. x vert.)	1366 x 384
Pixel density	250000 / m ²
Luminance (minimum)	750 nit
Uniformity	± 3%
Contrast ratio	5000 : 1
Color spectrum	R = 630 nm G = 525 nm B = 470 nm
Rated lifetime to ½ brightness	75000 hours
Physical dimensions (diam. x height)	1.0 x 2.03 m
Weight	350 kg
Operating temperature	0 - 30°C
Power requirement	100 - 120 VAC, 25 A, 1 phase
Power consumption (typical)	1.5 kW
Video interface	DVI-D (1400 x 1050 @ 60 Hz)
Refresh rate	60 Hz
Built-in speakers	Yes
Content feed	Built-in Player or Image Scaler
Ceiling Mount	Optional
Light box	Optional (w/ 2 posters 145 x 92 cm)